

Eclipse 2L

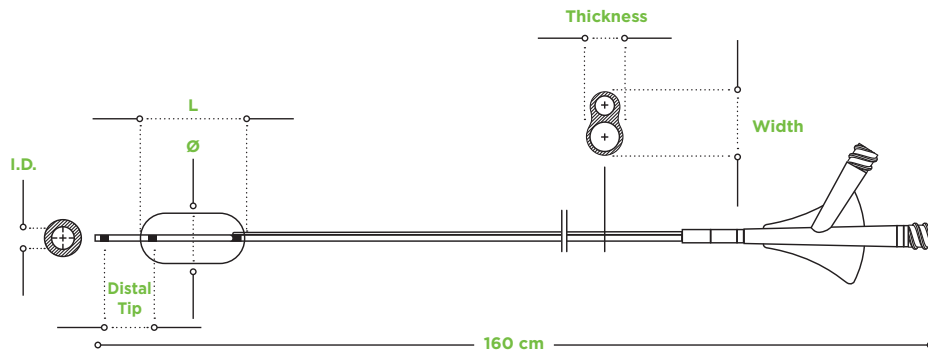
DUAL LUMEN BALLOON CATHETER

Parallel Lumens. Unparalleled Performance.

- **Unique parallel lumen design**
 - 5 times faster deflation than other dual lumen balloons
 - Excellent navigation
- **Flat catheter design and multipurpose tip for enhanced navigation**
- **Broad treatment options allow for delivery of DMSO* liquid embolics, coils and stents**
- **Unique Short Nose configuration**
 - Features 3cm coiling marker
- **Fast and consistent preparation**



Broad Range of Balloons for a Broad Range of Clinical Applications



REFERENCE	BALLOON (mm)			DISTAL TIP O.D. X LENGTH	I.D. (WORKING LUMEN)	DOUBLE LUMEN OUTER DIMENSIONS	
	MAXØ	L	INFLATION RANGE			THICKNESS	WIDTH
ECL2L6x7SN	6	7	~2mm to 6mm	2.0F (.027") x 3mm	0.41mm/.016"	.9mm/.035"	1.10mm/.043"
ECL2L6x9	6	9					
ECL2L6x12	6	12					
ECL2L6x15	6	15					
ECL2L6x20	6	20					

Compatibility

Guidewire: ≤ .014" • Guide Catheter: ≥ .055" ID • Guide Catheter for BAC: > .070" (dependent on coiling catheter OD)

* Not intended to deliver liquid embolic agents in the peripheral vasculature.

Balt USA
29 Parker, Irvine, CA 92618 • tel 949.788.1443 fax 949.788.1444 • balt-usa.com

© 2019 BALT USA MKTG - 138 Rev. A

