

Glidewire[®]

Hydrophilic Coated Guidewires

NAVIGATE ANY PROCEDURAL CHALLENGE

Select the ideal wire from our
comprehensive portfolio of guidewires

GLIDEWIRE[®]

GLIDEWIRE[®] GT

GLIDEWIRE
ADVANTAGE[®]

GLIDEWIRE[®] GOLD

GLIDEWIRE
ADVANTAGE TRACK[™]

 **TERUMO**
INTERVENTIONAL
SYSTEMS

CHOOSE WITH CONFIDENCE

GLIDEWIRE® Hydrophilic Coated Guidewires are engineered to ensure your procedural success

A Full Range of Procedural Options



Glidewire®

Hydrophilic Coated Guidewire

Expand your options for vascular access, including the radial artery



Glidewire® GT

Super-Selective Hydrophilic Coated Guidewire

Navigate distal visceral vessels during small vessel embolization procedures



Glidewire Advantage®

Peripheral Guidewires

Address your clinical challenges with optimal performance



Glidewire® Gold

Hydrophilic Coated Guidewire

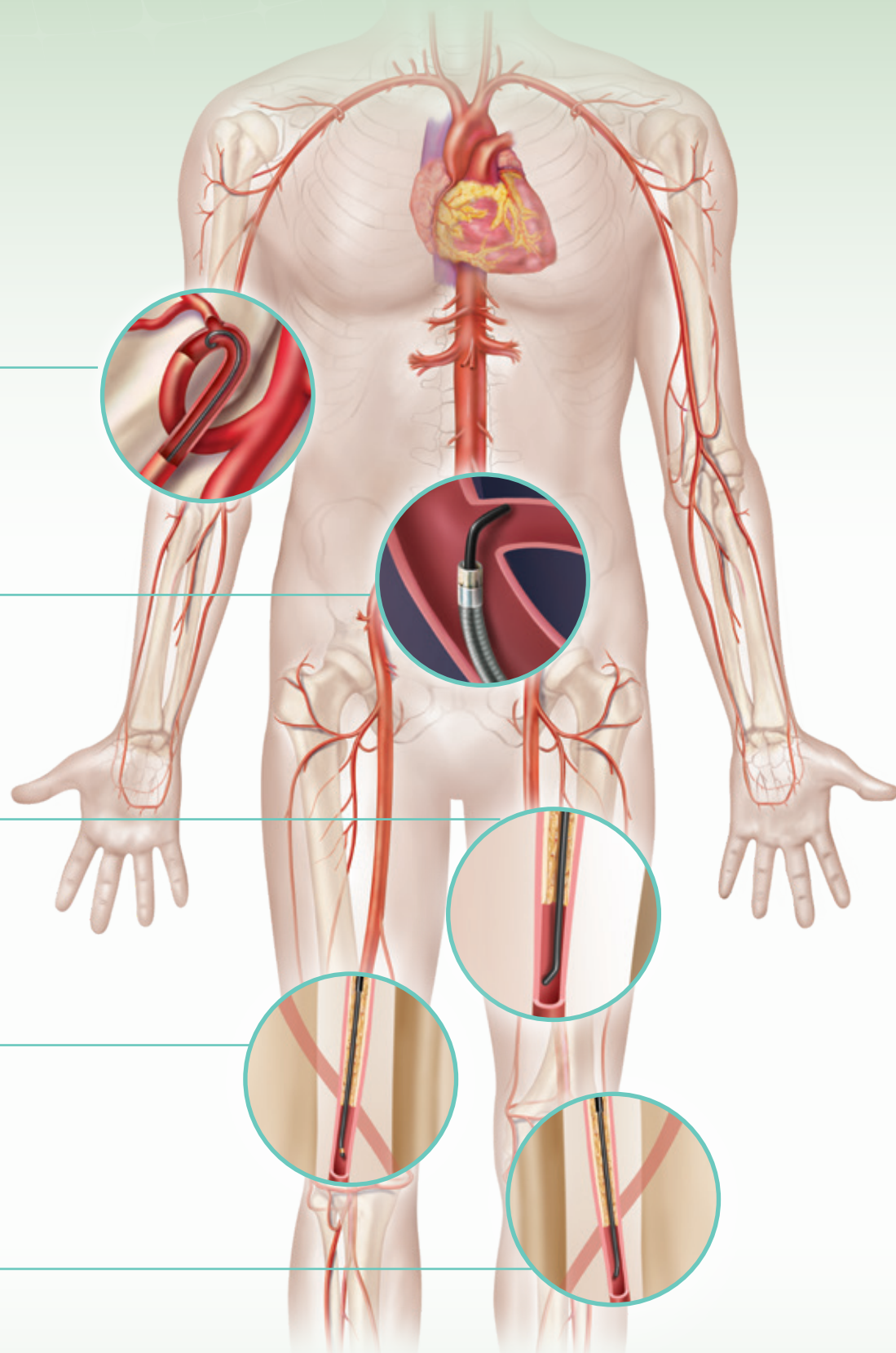
Enhance visibility to access distal vessels



Glidewire Advantage Track™

Peripheral Guidewire

Designed for demanding CLI procedures



Glidewire[®]

Hydrophilic Coated Guidewire

SETTING THE STANDARD IN ENDOVASCULAR PROCEDURES

GLIDEWIRE[®] provides an impressive array of lengths, diameters, tip shapes, and tapers

- Superior lubricity for smooth vessel navigation with TERUMO Glide Technology™ hydrophilic coating^{1-3,a}
- 1:1 torque ratio with a unique core-to-tip design
- Nitinol alloy core provides optimal kink resistance for easier navigation through tortuous vessels⁴
- Superior tip and wire radiopacity, provided by a polyurethane jacket with tungsten^{1-3,a}

Procedural option

GLIDEWIRE[®] Baby-J™ features an ideal size and tip shape—designed to minimize complications while traversing the radial artery

Technical Specifications

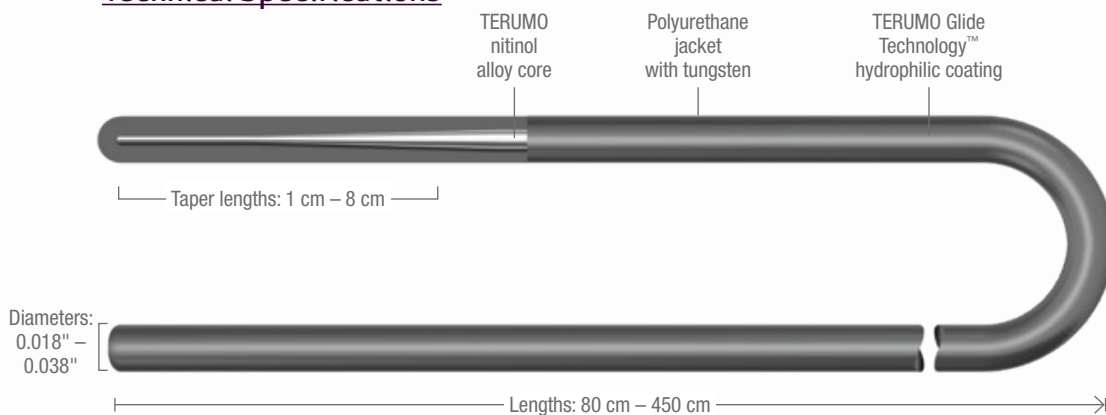


Illustration not to scale.

Lengths	Diameters	Taper Lengths	Tip Shape	Distal Marker	Other
80 cm	0.018" 0.025" 0.032" 0.035" 0.038"	1 cm 3 cm 5 cm 8 cm	<ul style="list-style-type: none"> • 1.5 mm J-tip • 3.0 mm J-tip • Angle • Straight 	N/A	Stiff or Regular shaft type
120 cm					
150 cm					
180 cm					
260 cm					
350 cm					
400 cm					
450 cm					

^aWhen compared to ZIPwire, HIWire, AQUATRACK, and Laureate

Glidewire® GT

Super-Selective Hydrophilic Coated Guidewire

NAVIGATE AND SELECT ACUTELY ANGLED VESSELS

GLIDEWIRE® GT is engineered for ideal trackability for reaching distal visceral vessels

- Accessibility enabled by a wide selection of tip angles including a unique double angle⁴
- Designed to improve vessel selectivity with a 25 cm distal taper
- Optimal visibility and enhanced radiopacity with a 2 cm gold coil distal tip⁴

Technical Specifications

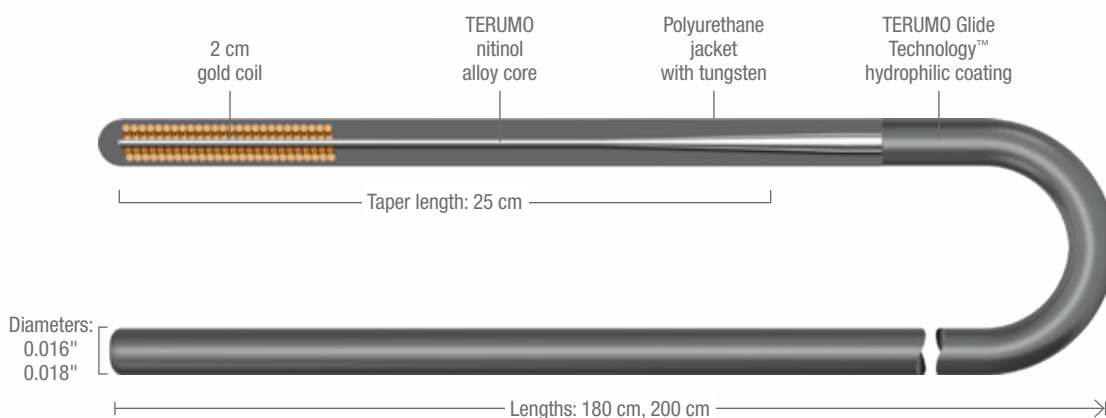
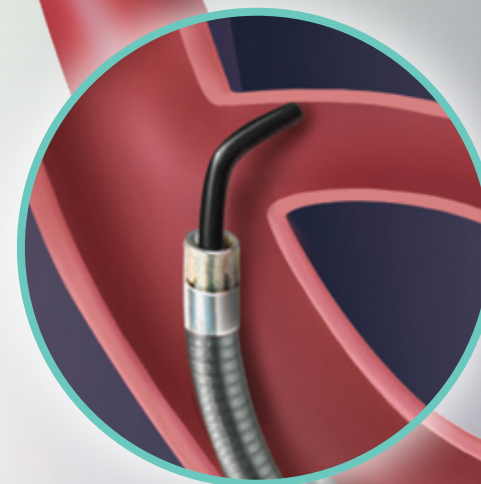


Illustration not to scale.

Lengths	Diameters	Taper Length	Tip Shape	Distal Marker
180 cm 200 cm	0.016" 0.018"	25 cm	<ul style="list-style-type: none"> • 45° Angle • 90° Angle • Double Angle • Straight-Shapeable 	2 cm gold coil

Procedural option

GLIDEWIRE® GT is designed to minimize trauma and reach even the most acutely angled vessels



Glidewire Advantage®

Peripheral Guidewires

OPTIMIZED FOR FEWER EXCHANGES

The unique combination of durability, maneuverability, and superior crossability^{2,a} is designed to provide procedural efficiency and minimize the need for multiple wires

- Engineered for excellent torque transfer, supported by a stiffer proximal shaft with unique spiral PTFE coating
- Superior trackability aided by hydrophilic coating for added lubricity^{2,a}
- Enhanced visibility with gold coil tips⁴

Technical Specifications

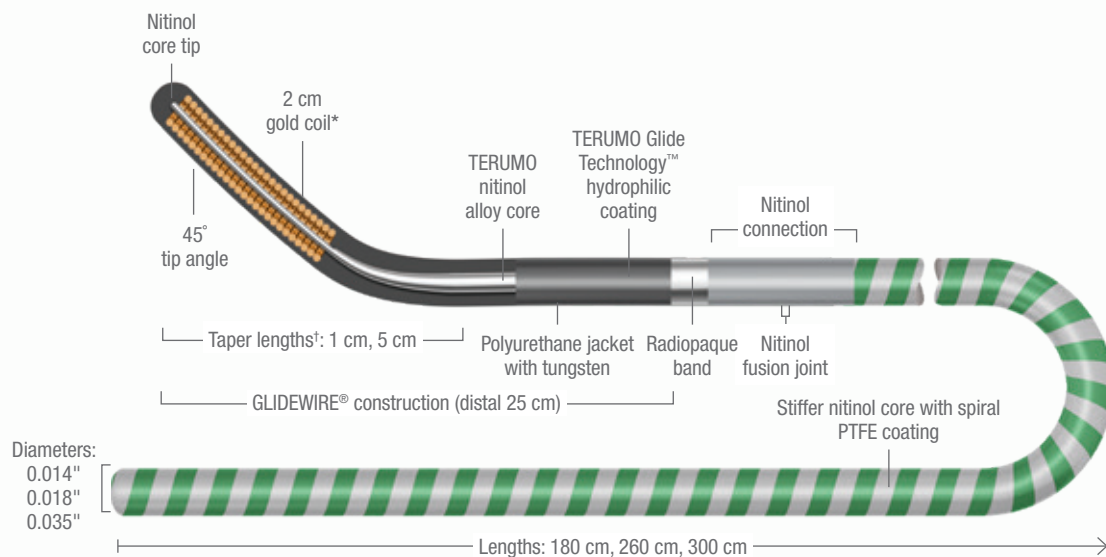


Illustration not to scale.

Lengths	Diameters	*Taper Lengths	Tip Shape	*Distal Marker	Other
180 cm 260 cm 300 cm	0.014" 0.018" 0.035"	5 cm (0.035") 1 cm (0.014", 0.018")	45° Angle	2 cm gold coil (0.014", 0.018" only)	<ul style="list-style-type: none"> • 25 cm GLIDEWIRE® distal end • Spiral PTFE-coated stiff nitinol

^aReferring to the distal 25 cm of the GLIDEWIRE ADVANTAGE® wire which features original GLIDEWIRE® construction

Procedural option

GLIDEWIRE ADVANTAGE® is designed for proximal pushability and distal trackability to address challenging lesions

Glidewire® Gold

Hydrophilic Coated Guidewire

ENHANCED VISIBILITY FOR DISTAL PROCEDURES

An ideal selection for complex distal lesions

- Enhanced radiopacity with a 1 mm gold band at distal tip⁴
- High tip weight supports crossing lesions in small vessels⁴
- Available in a variety of configurations to suit various procedural needs

Technical Specifications

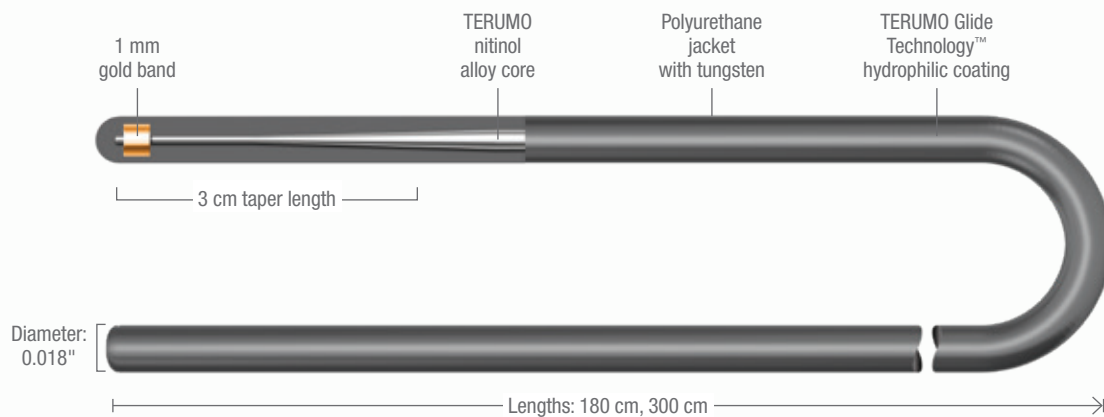


Illustration not to scale.

Lengths	Diameter	Taper Length	Tip Shape	Distal Marker
180 cm 300 cm	0.018"	3 cm	45° Angle 70° Angle	1 mm gold band

Procedural option

GLIDEWIRE® GOLD is designed with enhanced visibility and multiple tip shapes to tackle demanding procedures



Glidewire Advantage Track™

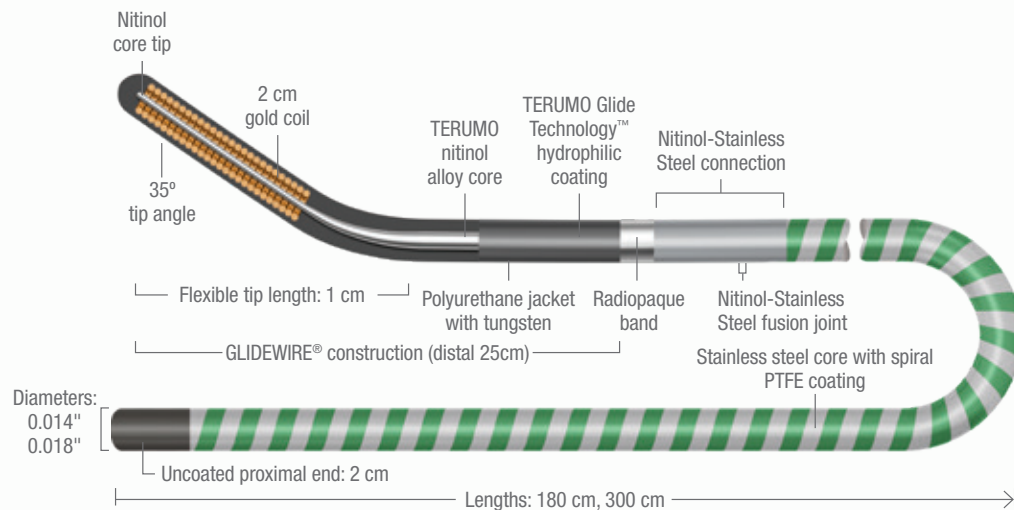
Peripheral Guidewire

LEVERAGE SUPERIOR PERFORMANCE

For your demanding CLI procedures

- **Superior Pushability:** High deformation resistance provides superior pushability to access and cross challenging above-the-knee (ATK) & below-the-knee (BTK) anatomy and lesions
- **Superior Trackability:** Provides superior ability to track and navigate anatomy of the vasculature
- **Best-in-Class Durability:** Provides superior shape retention for navigating small, tortuous vessels
- **Superior Lubricity:** TERUMO Glide Technology™ hydrophilic coating^b provides superior lubricity to support ease of progression through vessels
- **Enhanced Visibility & Selectivity:** Gold coil tips enhance visibility in conjunction with a 25 cm distal taper designed to minimize vessel trauma and improve selectivity of vessels

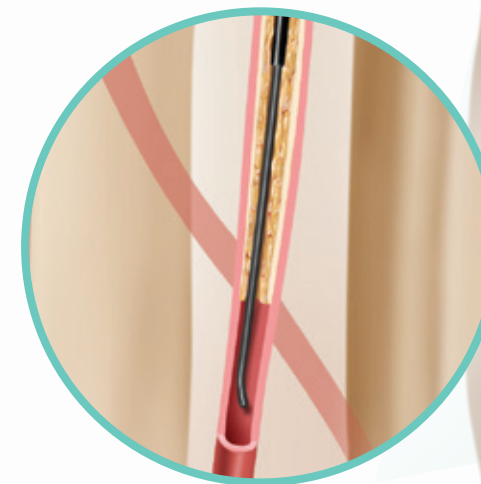
Technical Specifications



Lengths	Diameters	Taper Length	Tip Shape	Distal Marker	Other
180 cm 300 cm	0.014" 0.018"	1 cm	35° Angle	2 cm gold coil	<ul style="list-style-type: none"> • 25 cm GLIDEWIRE® distal end • Spiral PTFE-coated stainless steel core

Procedural option

Available in 0.018" & 0.014" diameter sizes, GLIDEWIRE ADVANTAGE TRACK™ provides superior performance^{4,a} to tackle challenging CLI cases



^a When compared to Abbott Hi-Torque Command 18 LT and Boston Scientific V-18

^b Referring to the distal 25 cm of GLIDEWIRE ADVANTAGE TRACK™ wire which features original GLIDEWIRE® construction

GLIDEWIRE® Hydrophilic Coated Guidewire

	PRODUCT CODE	WIRE TYPE	DIAMETER	FLEXIBLE TIP LENGTH (TAPER)	TIP SHAPE	TOTAL LENGTH	
Standard Shaft GLIDEWIRE®	GR1804	Standard	0.018"	3 cm	Angle	80 cm	
	GR1805					150 cm	
	GR1806					180 cm	
	GR1807					260 cm	
	GR1802					150 cm	
	GR1803					180 cm	
	GR1808				260 cm		
	GR2504				Angle	150 cm	
	GR2505					180 cm	
	GR2506					260 cm	
	GR2501					150 cm	
	GR2502					180 cm	
	GR2503		260 cm				
	GR3202		Angle	150 cm			
	GR3201			150 cm			
	GR3513		0.035"	Straight/Shapeable	80 cm		
	GR3505				120 cm		
	GR3506				150 cm		
	GR3508				180 cm		
	GR3509				260 cm		
	GR3501				150 cm		
	GR3503			Angle	180 cm		
	GR3504				260 cm		
	GR3811				0.038"	Straight/Shapeable	80 cm
	GR3805						120 cm
	GR3806						150 cm
	GR3808						180 cm
	GR3809		260 cm				
	GR3801		150 cm				
	GR3803		Angle	180 cm			
	GR3804			260 cm			
	Stiff Shaft GLIDEWIRE®		GS3505	Stiff		0.035"	3 cm
GS3506		150 cm					
GS3508		180 cm					
GS3509		260 cm					
GS3501		150 cm					
GS3503		180 cm					
GS3504		260 cm					
GS3804		Angle	80 cm				
GS3805			150 cm				
GS3807	180 cm						
GS3801	Straight	150 cm					
GS3803		180 cm					
Long Taper GLIDEWIRE®	GR3507	Standard	0.035"	8 cm	Angle	150 cm	
	GR3502				Straight	150 cm	
	GS3507	Stiff	0.035"	5 cm	Angle	150 cm	
	GS3510				260 cm		
	GS3502		Angle		150 cm		
	GS3806				150 cm		
GS3802	Straight	150 cm					
1 cm Taper GLIDEWIRE®	GR3515	Standard	0.035"	1 cm	Angle	150 cm	
	GR3516					180 cm	
	GR3517					260 cm	
	GR3518				150 cm		
	GR3519				Straight	180 cm	
	GR3520					260 cm	
J-Tip GLIDEWIRE®	GR3510	Standard	0.035"	3 cm	3.0 mm J-tip	150 cm	
	GR3525				180 cm		
	GR3526		260 cm				
	GR3810		0.038"		3.0 mm J-tip	150 cm	

GLIDEWIRE® GT Super-Selective Hydrophilic Coated Guidewire

PRODUCT CODE	DIAMETER	TOTAL LENGTH	FLEXIBLE TIP TYPE	GRIND LENGTH	RADIOPAQUE LENGTH	TIP SHAPE	
RG*GW1618SP	0.016"	180 cm	Standard	25 cm	2 cm	90°/60° Double Angle†	
RG*ES1618SP						Straight/Shapeable	
RG*GA1818SP	45° Angle						
RG*GE1818SP	90° Angle						
RG*GW1818SP	0.018"					200 cm	90°/60° Double Angle†
RG*ES1818SP							Straight/Shapeable
RG*GW1820SP	90°/60° Double Angle†						
RG*ES1820SP	Straight/Shapeable						

†Distal/proximal

GLIDEWIRE® ADVANTAGE Peripheral Guidewire

PRODUCT CODE	DIAMETER	TOTAL LENGTH	SPIRAL PTFE PROXIMAL COATING LENGTH	DISTAL GLIDEWIRE® LENGTH	FLEXIBLE TIP LENGTH (TAPER)	TIP SHAPE
GA1418	0.014"	180 cm	155 cm	25 cm	1 cm	45° Angle
GA1430		300 cm	275 cm			
GA1818	0.018"	180 cm	155 cm			
GA1830		300 cm	275 cm			
GA3501	0.035"	180 cm	155 cm		5 cm	
GA3502		260 cm	235 cm			

GLIDEWIRE® GOLD Hydrophilic Coated Guidewire

PRODUCT CODE	DIAMETER	TOTAL LENGTH	FLEXIBLE TIP LENGTH (TAPER)	RADIOPAQUE LENGTH	TIP SHAPE
GM1811	0.018"	180 cm	3 cm	1 mm	45° Angle
GM1813					70° Angle
GM1831					45° Angle
GM1832		300 cm			70° Angle

GLIDEWIRE ADVANTAGE TRACK™ Peripheral Guidewire

PRODUCT CODE	DIAMETER	TOTAL LENGTH	DISTAL GLIDEWIRE® LENGTH	FLEXIBLE TIP LENGTH (TAPER)	TIP SHAPE
GAT1418	0.014"	180 cm	25 cm	1 cm	35° Angle
GAT1430		300 cm			
GAT1818	0.018"	180 cm			
GAT1830		300 cm			



PUSHING BOUNDARIES

Terumo Interventional Systems is **committed to your success** with innovative procedural solutions and ongoing support for your most challenging cases.

We are relentlessly seeking new ways to help you apply effective solutions and achieve **better outcomes for more patients.**

FIND OUT MORE  Phone: 800.862.4143  terumo.com  Fax: 800.411.5870

References:

1. Shah A, Lau C, Stavropoulos SW, et al. Comparison of physician-rated performance characteristics of hydrophilic-coated guidewires. *J Vasc Interv Radiol.* 2008 Mar;19(3):400-405. **2.** Niazi K, Farooqui F, Devireddy C, et al. Comparison of hydrophilic guidewires used in endovascular procedures. *J Invasive Cardiol.* 2009 Aug;21(8):397-400. **3.** Niazi K. Guidewire Satisfaction Study. Data on File 2012, Terumo Medical Corporation. **4.** Data on file.

RX ONLY. Refer to the product labels and package insert for complete warnings, precautions, potential complications, and instructions for use.

©2021 Terumo Medical Corporation. All rights reserved. The third-party trademarks used herein are trademarks of their respective owners. All other brand names are trademarks or registered trademarks of Terumo. PM-04702


TERUMO
INTERVENTIONAL
SYSTEMS