

PMT

PMT-P-1015-0109-CAN

IFU, Cleaner15, Canada

Version C

November 11, 2019

Version	Effective	Change Description
C	11/11/2019	Modify following IFU's to reflect the CE mark change: P-1009-0213-BR, P-1015-0109-BR, P-1009-0213-CAN, P-1015-0109-CAN. Update PS-P-10XX-BR and PS-P-10XX Canada document to reflect the IFU change and new PS template TMPL-0005X.
B	1/11/2018	Initial Migration into QMS

CLEANER 15™

Rotational Thrombectomy System

All directions should be read before use

pages

Directions For Use in Peripheral Vasculature 2-5

Directions For Use in Grafts and Fistulae..... 6-9

Caution: Federal (USA) law restricts this device to sale by, or on the order of physician.

DEVICE DESCRIPTION:

The CLEANER 15™ Rotational Thrombectomy System is a 7Fr percutaneous catheter based system (single piece construction). A disposable, hand-held battery operated rotator drive unit is attached to a sinuous wire which rotates at approximately 4000 RPM. The wire and atraumatic soft tip are radiopaque for fluoroscopic visualization.

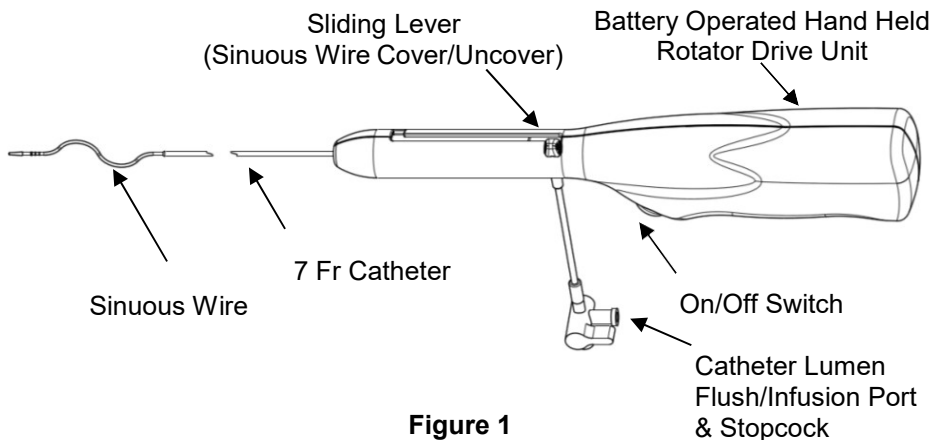


Figure 1

Peripheral Vasculature

INDICATIONS FOR USE:

The CLEANER 15™ Rotational Thrombectomy System is indicated for mechanical declotting of acute symptomatic deep vein thrombosis and controlled and selective infusion of physician-specified fluids, including thrombolytics, in the peripheral vasculature.

CONTRAINDICATIONS:

The CLEANER 15™ Rotational Thrombectomy System is contraindicated in the following:

- This system is contraindicated when, in the medical judgment of the physician, such a procedure may compromise the patient's condition.
- Not designed for peripheral vasculature dilation purposes.
- This system is not intended for the infusion of blood or blood products.
- Refer to the product insert of the therapeutic solution of choice for indications, contraindications, side effects, and precautions.
- In native vessels smaller than 6mm in diameter

WARNINGS AND PRECAUTIONS:

- **Operation of a thrombectomy catheter may cause embolization of some thrombus and/or thrombotic particulate. The potential for pulmonary thromboembolism should be carefully considered when Cleaner is used to break up and remove peripheral venous thrombus. Physician discretion with regard to the use of the distal protection in patients with DVT is advised.**
- Prior to use, read all package insert warnings, precautions, and instructions. Failure to do so may result in severe patient injury and death.
- These procedures should only be performed by physicians and staff familiar with the equipment and techniques involved. The device has been sterilized by EtO and is sterile unless the package is opened or damaged. The package should be examined before use; if damaged, DO NOT USE. The device is intended for single patient use only; DO NOT REUSE OR RE-STERILIZE.
- Prior to use, carefully examine the CLEANER 15™ Rotational Thrombectomy System to verify that it has not been damaged during shipment. If the product components show any sign of damage, DO NOT USE.
- Due to the risk of exposure to HIV (Human Immunodeficiency Virus) or other blood borne pathogens, health care workers should routinely use universal blood and body fluid precautions in the care of all patients. Sterile technique must be strictly adhered to during any handling of the device.
- Do not advance if resistance is met without first determining the cause of resistance under fluoroscopy and taking any necessary remedial action. Excessive force against resistance may result in damage to the device or vasculature.
- Prior to introduction, and anytime the CLEANER 15™ is removed from the vascular system, the catheter should be flushed.
- If the catheter or guidewire becomes kinked or otherwise damaged during use, discontinue use and replace.
- Practitioners must be aware of potential complications associated with peripheral vasculature thrombolysis including:
 - Vessel perforation or rupture
 - Vessel spasm
 - Hematoma
 - Distal embolization of blood clots
 - Hemorrhage
 - Pain and tenderness

Peripheral Vasculature

- | | |
|---|--|
| <input type="checkbox"/> Sepsis/Infection | <input type="checkbox"/> Thrombophlebitis |
| <input type="checkbox"/> Intimal disruption | <input type="checkbox"/> Arterial dissection |
| <input type="checkbox"/> Vascular thrombosis | <input type="checkbox"/> Drug reactions |
| <input type="checkbox"/> Allergic reaction to contrast medium | <input type="checkbox"/> Arteriovenous fistula |
| <input type="checkbox"/> Thromboembolic episodes | <input type="checkbox"/> Amputation |

- Potential fatigue failure of the CLEANER 15™ sinuous wire may occur with prolonged activation of the CLEANER 15™ device. A withdrawal rate of 1-2 cm/second is recommended when sharp radii are encountered (i.e. radius of a loop graft or fistula, radii < 3 cm).

A SUGGESTED PROCEDURE:

Use sterile technique.

Patient Preparation:

1. Premedicate with appropriate anxiolytic, analgesic and/or antibiotic per hospital protocol.

Device Performance Testing:

2. Remove the CLEANER 15™ Rotational Thrombectomy System from the package. Press the ON/OFF switch to ensure that the sinuous wire spins freely (refer to Figure 2). Release the switch to stop the rotator. **Precaution: Do not use the device if it does not activate immediately when the switch is pressed, and deactivate immediately when the switch is released.**

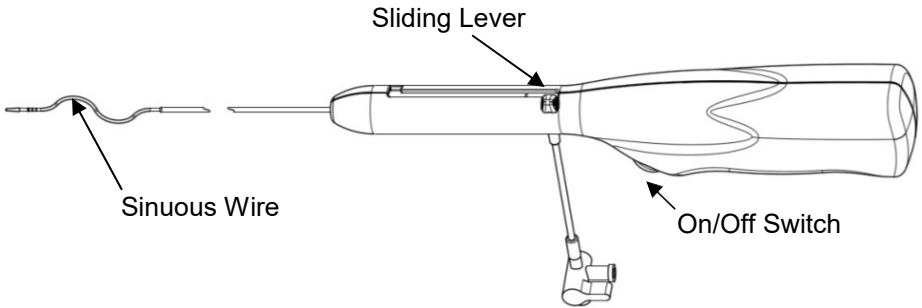


Figure 2

3. Attach a syringe of therapeutic agent or heparinized saline to the catheter flush port and flush the CLEANER 15™ catheter. Be sure that fluid exits from the most distal catheter hole which is located near the end of the catheter. Close the stopcock to "lock" the therapeutic agent or heparin in the catheter and remove the syringe.

Treatment:

The exact treatment procedure is to be determined by the physician. The following option describes how the procedure may be performed.

Peripheral Vasculature

4. Complete the procedure under continuous fluoroscopy. Do not initiate sinusoidal wire rotation (device activation) unless proper device positioning is confirmed within the peripheral vasculature.
5. Prepare and drape the puncture site as required.
6. Administer local anesthetic at the puncture site for venous sheath insertion.
7. Select an appropriately sized sheath to accommodate the CLEANER 15™ catheter and other devices/ catheters that may be used during the procedure. Maximum guidewire size will be dependent upon the introducer sheath/dilator assembly chosen. If crossing the iliac bifurcation, a long reinforced sheath should be used.
8. Prepare and place the venous introducer sheath per hospital protocol. The venous sheath should be placed in the venous limb of the peripheral vasculature, and directed toward the treatment site. The venous sheath placement can be optional depending on the clot burden in the vessel.
9. Place the device in the covered position by pushing the sliding lever to the distal position and rotating the sliding lever to lock in the covered position (refer to Figure 3). When in the covered position, only the flexible tip of the sinusoidal wire should extend from the catheter. **Warning: The device should not be activated in the covered position.**
10. Support the flexible tip between the thumb and index finger during insertion through the sheath valve. Insert the covered device through the venous sheath and into the venous limb of the peripheral vasculature.
11. Attach a 10cc syringe containing the therapeutic agent intended for infusion to the stopcock. Open the stopcock to enable flow. **Warning: Do not draw blood back into the catheter.**
Note: Follow the manufacturer's instructions regarding reconstitution and dilution of specified fluids.

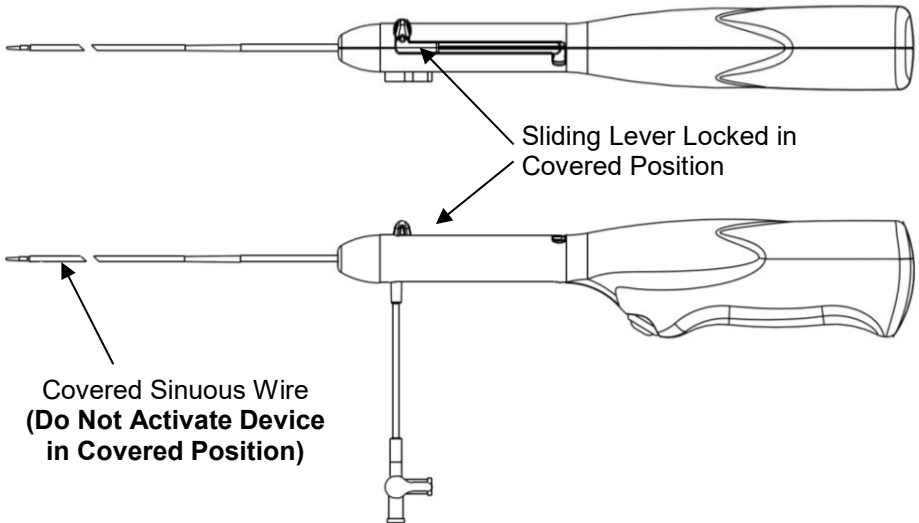


Figure 3

Peripheral Vasculature

- Advance the flexible tip up to the distal most extent of the clot. Uncover the sinuous wire by unlocking, fully retracting the sliding lever and rotating the sliding lever until an audible "click" is heard (refer to Figure 4). Confirm device positioning within the treatment site via fluoroscopy. Press the ON/OFF switch to activate rotation.

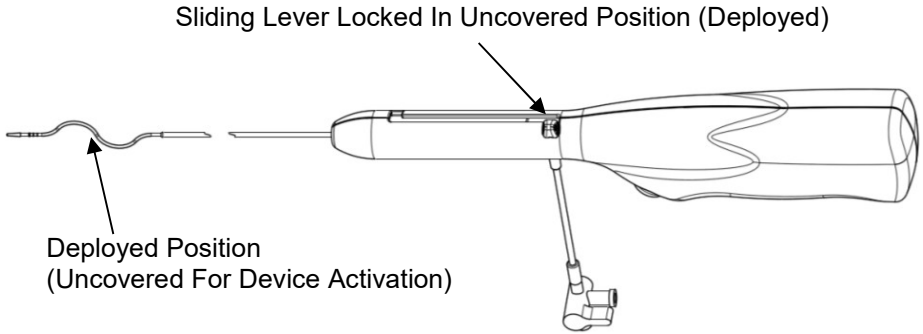


Figure 4

- With the device activated, slowly withdraw the rotating sinuous wire along the treatment site while infusing therapeutic agent through the infusion port to break up the clot. **Warning: A withdrawal rate of 1-2 cm/second is recommended when sharp radii are encountered.** When the sinuous wire reaches the tip of the venous sheath, release the switch to turn off the rotating dispersion wire.
- Cover the device and remove it from the peripheral vasculature. Flush the catheter lumen with heparinized saline and manually remove any accumulated fibrin from the sinuous wire.
- Aspirate the macerated clot via the sheath and discard the aspirate. **Precaution: Continued unsuccessful aspiration may collapse the sheath and vessel.**
- Inject a small amount of contrast via the venous sheath to assess the degree of thrombus removal accomplished. **Warning: Avoid over-injection of contrast to minimize the risk of embolization.** Treat the residual thrombus by repeating steps 11-15 until acceptable thrombus removal is achieved.
- When the thrombus removal is complete, treat any underlying disease or stenosis per hospital protocol.
- Perform the final angiogram.
- Remove the sheaths from the peripheral vasculature.
- Achieve hemostasis at the puncture site(s) per hospital protocol.

Grafts and Fistulae

INDICATIONS FOR USE:

The CLEANER 15™ Rotational Thrombectomy System is indicated for mechanical declotting of native vessel dialysis fistulae and synthetic dialysis access grafts.

CONTRAINDICATIONS:

The CLEANER 15™ Rotational Thrombectomy System is contraindicated in the following:

- When in the medical judgment of the physician, such a procedure may compromise the patient's condition.
- In native vessels smaller than 6mm in diameter
- Existing hemodialysis access site infection.
- Immature native vessel dialysis fistulae (fistulae that have not been used for at least one hemodialysis treatment).

WARNINGS AND PRECAUTIONS:

- Prior to use, read all package insert warnings, precautions, and instructions. Failure to do so may result in severe patient injury and death.
- These procedures should only be performed by physicians and staff familiar with the equipment and techniques involved. The device has been sterilized by EtO and is sterile unless the package is opened or damaged. The package should be examined before use; if damaged, DO NOT USE. The device is intended for single patient use only; DO NOT REUSE OR RE-STERILIZE.
- Prior to use, carefully examine the CLEANER 15™ Rotational Thrombectomy System to verify that it has not been damaged during shipment. If the product components show any sign of damage, DO NOT USE.
- Due to the risk of exposure to HIV (Human Immunodeficiency Virus) or other blood borne pathogens, health care workers should routinely use universal blood and body fluid precautions in the care of all patients. Sterile technique must be strictly adhered to during any handling of the device.
- Practitioners must be aware of potential complications associated with dialysis fistula and graft thrombolysis including:
 - Hemorrhage
 - Symptomatic pulmonary embolism
 - Arterial embolization
 - Allergic reaction to contrast media
 - Pseudoaneurysm
 - Pain and/or tenderness
 - Vessel tear or disruption
 - Infection
 - Perforation of the artery or vein
 - Hematoma
 - Death
- Caution should be used when dislodging the plug at the arterial anastomosis to minimize the risk of arterial embolization.
- Due to the lack of excretion associated with hemodialysis patients, use of contrast should be kept to a minimum throughout this procedure.
- Potential fatigue failure of the CLEANER 15™ sinuous wire may occur with prolonged activation of the CLEANER 15™ device. A withdrawal rate of 1-2 cm/second is recommended when sharp radii are encountered (i.e. radius of a loop graft or fistula, radii < 3 cm).

Grafts and Fistulae

A SUGGESTED PROCEDURE:

Use sterile technique.

Patient Preparation:

1. Premedicate with appropriate anxiolytic, analgesic and/or antibiotic per hospital protocol.

Device Performance Testing:

2. Remove the CLEANER 15™ Rotational Thrombectomy System from the package. Press the ON/OFF switch to ensure that the sinuous wire spins freely (refer to Figure 2). Release the switch to stop the rotator. **Precaution: Do not use the device if it does not activate immediately when the switch is pressed, and deactivate immediately when the switch is released.**
3. Flush the CLEANER 15™ catheter with heparinized saline through the catheter lumen flush port. Return the stopcock to the off position prior to operation.

Thrombolysis Procedure:

4. Complete the CLEANER 15™ thrombolysis procedure under continuous fluoroscopy. Do not initiate sinuous wire rotation (device activation) unless proper device positioning is confirmed within the fistula or graft.
5. Prepare and drape the puncture site as required.
6. Administer local anesthetic at the puncture site for venous sheath insertion.
7. Select an appropriately sized sheath to accommodate the CLEANER 15™ catheter and other devices/ catheters that may be used during the procedure. Maximum guidewire size will be dependent upon the introducer sheath/dilator assembly chosen.
8. Prepare and place the venous introducer sheath per hospital protocol. The venous sheath should be placed in the venous limb of the graft, and directed toward the venous anastomosis. In fistulae, the venous sheath placement can be optional depending on the clot burden in the vessel. If a venous sheath is used, it should be placed in the venous limb of the fistula and directed toward the central venous outflow. Note: If no venous sheath is used in the AV fistula, then go to step 16.
9. Place the device in the covered position by pushing the sliding lever to the distal position and rotating the sliding lever to lock in the covered position (refer to Figure 3). When in the covered position, only the flexible tip of the sinuous wire should extend from the catheter. The device should not be activated in the covered position.
10. Support the flexible tip between the thumb and index finger during insertion through the sheath valve. Insert the covered device through the venous sheath and into the venous limb of the fistula or graft.
11. In a graft, advance the flexible tip up to the venous anastomosis. **Warning: Do not advance it beyond the anastomosis.** In a fistula, advance the flexible tip up to the central most extent of the clot. Uncover the sinuous wire by unlocking, fully retracting the sliding lever and rotating the sliding lever until an audible “click” is heard (refer to Figure 4). Confirm device positioning within the fistula or graft via fluoroscopy. Press the ON/OFF switch to activate rotation.
Note: Caution should be taken while uncovering the wire to avoid advancing the wire into the clot and past the anastomosis.
12. With the device activated, slowly withdraw the rotating sinuous wire along the graft or fistula to break up the clot. **Warning: A withdrawal rate of 1-2 cm/second is recommended when sharp radii are encountered.** When the sinuous wire reaches the tip of the venous sheath, release the switch to turn off the rotator.

Grafts and Fistulae

13. Cover the device and remove it from the graft or fistula. Flush the catheter lumen with heparinized saline and manually remove any accumulated fibrin from the sinuous wire.
14. Aspirate the macerated clot via the sheath and discard the aspirate. **Precaution: Continued unsuccessful aspiration may collapse the sheath and graft/fistula.**
15. Inject a small amount of contrast via the venous sheath to assess the degree of thrombus removal accomplished. **Warning: Avoid over-injection of contrast to minimize the risk of arterial embolization.** Treat the residual thrombus by repeating steps 11-14 until acceptable thrombus removal is achieved.
16. Administer local anesthetic at the puncture site for arterial sheath insertion. Prepare and place the arterial introducer sheath per hospital protocol. The arterial sheath should be directed toward the arterial anastomosis. **Precaution: The arterial and venous sheath tips must not overlap.**
17. Support the flexible tip between the thumb and index finger during insertion through the sheath valve. Insert the covered device through the arterial sheath into the arterial limb of the fistula or graft.
18. In a graft, advance the flexible tip up to the arterial anastomosis. **Warning: Do not advance it beyond the anastomosis.** In a fistula, advance the flexible tip up to the central most extent of the clot. Uncover the sinuous wire by unlocking, fully retracting the sliding lever and rotating the sliding lever until an audible "click" is heard. Confirm device positioning within the fistula or graft via fluoroscopy. Press the ON/OFF switch to activate rotation.
19. With the device activated, slowly withdraw the rotating sinuous wire, in the uncovered position, along the graft or fistula to break up the clot. **Warning: A withdraw rate of 1-2 cm/second is recommended when sharp radii are encountered.** When the sinuous wire reaches the tip of the arterial sheath, release the switch to turn off the rotator.
20. Cover the device and remove it from the graft or fistula. Flush the catheter lumen with heparinized saline and manually remove any accumulated fibrin from the sinuous wire.
21. Aspirate the macerated clot using either sheath and discard the aspirate. **Precaution: Continued unsuccessful aspiration may collapse the sheath and graft/fistula.**
22. Pass an appropriate catheter through the arterial sheath, and carefully feed it past the arterial anastomosis of the graft or fistula. Inflate the balloon, if it is a balloon catheter. Pull the arterial plug into the middle of the arterial limb. Deflate the balloon and remove the balloon catheter.
23. Reinsert the covered CLEANER 15™ device through the arterial sheath into the arterial limb of the graft or fistula.
24. Uncover the sinuous wire and activate the device to break up the arterial plug, using contrast to guide maceration.
25. Cover the device and remove it from the graft or fistula. Flush the catheter lumen with heparinized saline and manually remove any accumulated fibrin from the sinuous wire.
26. Aspirate the macerated clot via the sheath and discard the aspirate.
27. Inject contrast to assess the degree of thrombus removal. Treat any residual thrombus using the CLEANER 15™ via either sheath, as needed.
28. When the thrombus removal is complete, treat any underlying disease or stenosis per hospital protocol.
29. Perform the final fistulogram.

Grafts and Fistulae

30. Remove the sheaths from the fistula or graft.
31. Achieve hemostasis at the puncture site(s) per hospital protocol.

WARNING:

For single use only. Do not reuse, reprocess or re-sterilize. Reuse, reprocessing or re-sterilization may compromise the structural integrity of the device and/or lead to device failure which in turn may result in patient injury, illness or death. Reuse, reprocessing or re-sterilization may also create a risk of contamination of the device and/or cause patient infection or cross-infection, including, but not limited to, the transmission of infectious disease(s) from one patient to another. Contamination of the device may lead to injury, illness or death of the patient.

STORAGE:

Store at controlled room temperature. Do not expose to organic solvents, ionizing radiation or ultraviolet light.

DISPOSAL:

Dispose of the catheter system in accordance with the Waste Electrical and Electronic Equipment Directive 2002/96/EC (WEEE) and according to the standard institutional procedures for medical waste including single-use, blood contacting devices.

DISCLAIMER OF WARRANTY AND LIMITATION OF REMEDY:

There is no express or implied warranty, including without limitation and implied warranty of merchantability or fitness for a particular purpose, on the Argon Medical product(s) described in this publication. Under no circumstances shall Argon Medical be liable for any direct, incidental or consequential damages other than as expressly provided by specific law. No person has the authority to bind Argon Medical to any representation or warranty except as specifically set forth herein.

Descriptions or specifications in Argon Medical printed matter, including this publication, are meant solely to generally describe the product at the time of manufacture and do not constitute any express warranties.

Argon Medical will not be responsible for any direct, incidental or consequential damages from reuse of the product.

CLEANER 15™

Rotational Thrombectomy System

Lire l'intégralité des instructions avant utilisation

pages

Mode d'emploi dans le système vasculaire

périphérique..... 12-16

Mode d'emploi dans les greffes et les fistules ...17-20

Attention : la loi fédérale américaine restreint la vente de ce dispositif à un médecin ou sur ordonnance d'un médecin.

DESCRIPTION DU DISPOSITIF :

Le système de thrombectomie rotationnelle CLEANER 15™ est un système basé sur un cathéter percutané de 7 Fr (construction monobloc). Une unité d'entraînement rotative alimentée par pile, portable et jetable, est reliée à un fil sinusoïdal qui tourne à environ 4000 tr/min. Le fil et l'extrémité souple atraumatique sont radio-opaques pour permettre une visualisation radioscopique.

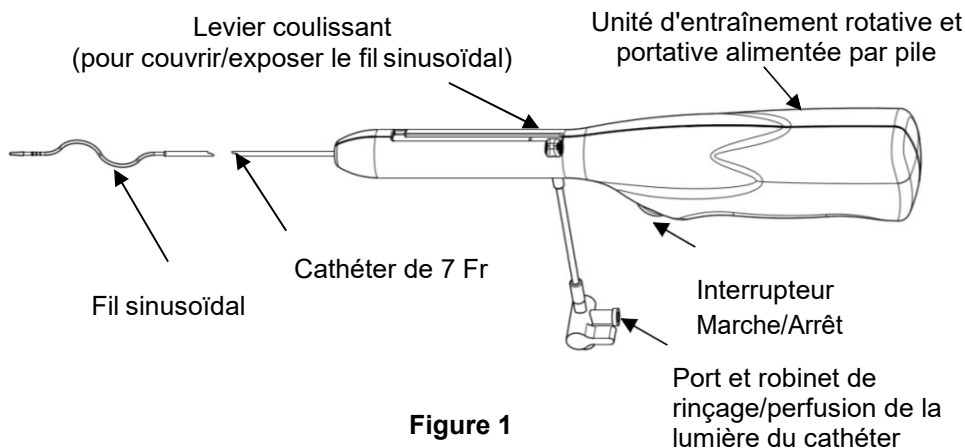


Figure 1

Système vasculaire périphérique

INDICATIONS :

Le système de thrombectomie rotationnelle CLEANER 15™ est indiqué pour l'ablation mécanique des caillots provoqués par une thrombose veineuse profonde symptomatique aiguë et la perfusion contrôlée et sélective de liquides spécifiés par le médecin (notamment thrombolytiques) dans le système vasculaire périphérique.

CONTRE-INDICATIONS :

Le système de thrombectomie rotationnelle CLEANER 15™ est contre-indiqué dans les situations suivantes :

- Ce système est contre-indiqué lorsque, selon l'avis du médecin, une telle procédure pourrait compromettre l'état du patient.
- Ce système n'est pas conçu pour les procédures de dilatation du système vasculaire périphérique.
- Ce système n'est pas destiné à la perfusion de sang ou de produits sanguins.
- Consulter la notice de la solution thérapeutique envisagée pour prendre connaissance des indications, contre-indications, effets secondaires et précautions.
- Ce système est contre-indiqué dans les vaisseaux natifs d'un diamètre inférieur à 6 mm.

AVERTISSEMENTS ET PRÉCAUTIONS :

- **L'utilisation d'un cathéter de thrombectomie peut provoquer une embolisation de parties du thrombus et/ou de particules thrombotiques. Le potentiel de thromboembolie pulmonaire doit être évalué avec précaution en cas d'utilisation du dispositif Cleaner pour dissoudre et éliminer un thrombus veineux périphérique. L'utilisation de la protection distale chez les patients atteints de TVP est laissée à l'appréciation du médecin.**
- Lire l'intégralité des avertissements, précautions et instructions de la notice avant utilisation. Le non-respect de cette consigne risque d'entraîner de graves lésions et le décès du patient.
- Ces procédures doivent être exclusivement pratiquées par des médecins et du personnel parfaitement familiarisés avec le dispositif et les techniques employées. Le dispositif a été stérilisé à l'EtO et restera stérile sauf si l'emballage est ouvert ou endommagé. Examiner l'emballage avant toute utilisation ; s'il est endommagé, NE PAS UTILISER le dispositif. Ce dispositif est exclusivement destiné à un usage unique ; NE PAS LE RÉUTILISER NI LE RESTÉRILISER.
- Avant utilisation, examiner minutieusement le système de thrombectomie rotationnelle CLEANER 15™ pour vérifier qu'il n'a pas été endommagé pendant le transport. NE PAS UTILISER le produit si ses composants présentent un quelconque signe de dommage.
- En raison du risque d'exposition au VIH (virus de l'immunodéficience humaine) ou à d'autres agents pathogènes à diffusion hématogène, les professionnels de santé doivent systématiquement observer les précautions universelles relatives au sang et aux fluides corporels lors de la prise en charge des patients. Une technique stérile doit être rigoureusement employée lors de la manipulation du dispositif.
- En cas de résistance, ne pas avancer le dispositif avant d'en avoir préalablement déterminé la cause par radioscopie et d'avoir pris les mesures correctives nécessaires. L'application d'une force excessive contre une résistance risquerait d'endommager le dispositif ou de léser le système vasculaire.

Système vasculaire périphérique

- Rincer le cathéter avant toute introduction et à chaque fois que le dispositif CLEANER 15™ est retiré du système vasculaire.
- Si le cathéter ou le fil-guide est tordu ou autrement endommagé pendant l'emploi, cesser de l'utiliser et le remplacer.
- Les praticiens doivent être conscients des complications potentielles associées aux procédures de thrombolyse dans le système vasculaire périphérique, notamment :
 - Perforation ou rupture du vaisseau
 - Spasme vasculaire
 - Hématome
 - Sepsis/infection
 - Rupture de l'intima
 - Thrombose vasculaire
 - Réaction allergique au produit de contraste
 - Épisodes thromboemboliques
 - Embolisation distale de caillots sanguins
 - Hémorragie
 - Douleur et sensibilité
 - Thrombophlébite
 - Dissection artérielle
 - Réactions aux médicaments
 - Fistule artério-veineuse
 - Amputation
- Il existe un risque de rupture par fatigue du fil sinusoïdal CLEANER 15™ en cas d'activation prolongée du dispositif CLEANER 15™. Il est recommandé d'employer une vitesse de retrait de 1-2 cm/seconde dans les angles aigus (c'est-à-dire rayon d'une greffe ou d'une fistule en boucle, rayons < 3 cm).

PROCÉDURE CONSEILLÉE :

Employer une technique stérile.

Préparation du patient :

1. Procéder à une prémédication avec des anxiolytiques, analgésiques et/ou antibiotiques appropriés conformément au protocole de l'hôpital.

Test de la performance du dispositif :

2. Extraire le système de thrombectomie rotationnelle CLEANER 15™ de son emballage. Appuyer sur l'interrupteur MARCHÉ/ARRÊT pour vérifier que le fil sinusoïdal tourne librement (voir la Figure 2). Relâcher l'interrupteur pour arrêter la rotation. **Précaution : ne pas utiliser le dispositif s'il ne se met pas en marche immédiatement après avoir appuyé sur l'interrupteur, ou s'il ne s'arrête pas immédiatement lorsque l'interrupteur est relâché.**

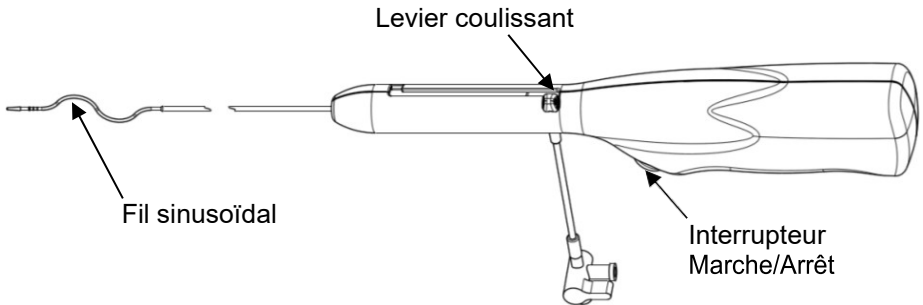


Figure 2

Système vasculaire périphérique

3. Raccorder une seringue contenant un agent thérapeutique ou une solution saline héparinée au port de rinçage du cathéter puis rincer le cathéter CLEANER 15™. Veiller à ce que le liquide s'écoule par l'orifice le plus distal du cathéter, localisé à proximité de l'extrémité du cathéter. Fermer le robinet pour « piéger » l'agent thérapeutique ou l'héparine dans le cathéter puis retirer la seringue.

Traitement :

La procédure de traitement exacte doit être déterminée par le médecin. La procédure suivante décrit un mode opératoire possible.

4. Exécuter l'intégralité de la procédure sous radioscopie. Ne pas initier la rotation du fil sinusoïdal (activation du dispositif) avant d'avoir confirmé le positionnement correct du dispositif dans le système vasculaire périphérique.
5. Préparer le site de ponction et placer un champ stérile tel que requis.
6. Administrer un anesthésique local au niveau du site de ponction en vue de l'insertion de la gaine veineuse.
7. Sélectionner une gaine de taille appropriée compatible avec le cathéter CLEANER 15™ et les autres dispositifs/cathéters qui seront éventuellement utilisés pendant la procédure. La taille maximale du fil-guide dépendra de l'ensemble gaine d'introduction/dilatateur choisi. Une longue gaine renforcée doit être utilisée en cas de passage dans la bifurcation iliaque.
8. Préparer et mettre en place la gaine d'introduction veineuse conformément au protocole de l'hôpital. La gaine veineuse doit être placée dans la branche veineuse du système vasculaire périphérique, en étant dirigée vers le site de traitement. La mise en place de la gaine veineuse peut être facultative, selon l'importance du caillot dans le vaisseau.
9. Placer le dispositif en position couverte. Pour ce faire, pousser le levier coulissant vers la position distale puis tourner ce dernier pour verrouiller le dispositif en position couverte (voir la Figure 3). En position couverte, seule l'extrémité flexible du fil sinusoïdal doit dépasser du cathéter. **Avertissement : Ne pas activer le dispositif lorsque le fil se trouve en position couverte.**
10. Lors de l'insertion dans la valve de la gaine, tenir l'extrémité flexible entre le pouce et l'index. Insérer le dispositif en position couverte dans la gaine veineuse puis dans la branche veineuse du système vasculaire périphérique.

Système vasculaire périphérique

11. Raccorder au robinet une seringue de 10 cc contenant l'agent thérapeutique prévu pour la perfusion. Ouvrir le robinet pour permettre la circulation. **Avertissement : veiller à éviter tout reflux de sang dans le cathéter.**
Remarque : suivre les instructions du fabricant en ce qui concerne la reconstitution et la dilution des liquides spécifiés.

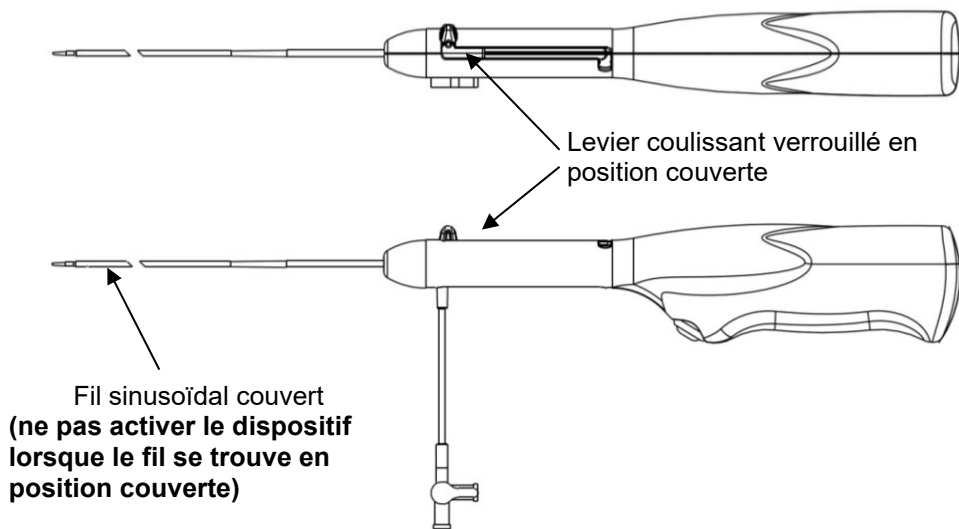


Figure 3

12. Avancer l'extrémité flexible jusqu'à la partie la plus distale du caillot. Exposer le fil sinusoïdal. Pour ce faire, déverrouiller et rétracter complètement le levier coulissant, puis tourner ce dernier jusqu'à entendre un « clic » (voir la Figure 4). Confirmer la position du dispositif dans le site de traitement par radioscopie. Appuyer sur l'interrupteur MARCHE/ARRÊT pour activer la rotation.

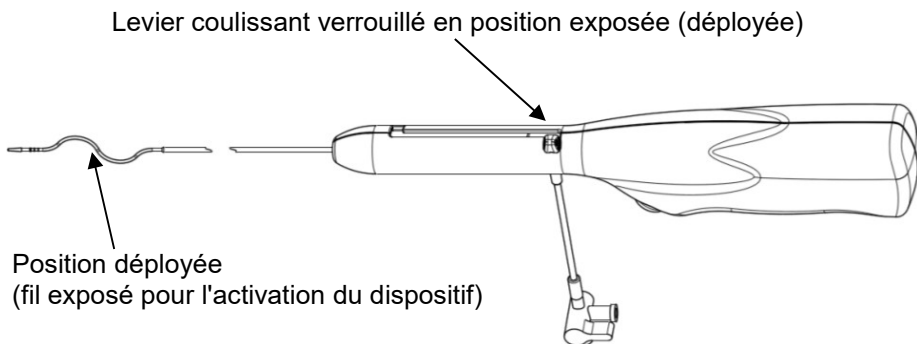


Figure 4

Système vasculaire périphérique

13. Une fois le dispositif activé, tirer lentement le fil sinusoïdal rotatif sur toute la longueur du site de traitement tout en perfusant l'agent thérapeutique dans le port de perfusion afin de dissoudre le caillot. **Avertissement : il est recommandé d'employer une vitesse de retrait de 1-2 cm/seconde dans les angles aigus.** Lorsque le fil sinusoïdal atteint l'extrémité de la gaine veineuse, relâcher l'interrupteur pour arrêter la rotation du fil de dispersion.
14. Placer le dispositif en position couverte puis retirer ce dernier du système vasculaire périphérique. Rincer la lumière du cathéter avec une solution saline héparinée et retirer manuellement la fibrine accumulée sur le fil sinusoïdal.
15. Aspirer le caillot macéré via la gaine puis éliminer l'aspirat. **Précaution : toute aspiration prolongée infructueuse risque de provoquer un collapsus de la gaine et du vaisseau.**
16. Injecter une petite quantité de produit de contraste via la gaine veineuse afin d'évaluer le degré d'ablation du thrombus. **Avertissement : éviter toute surinjection de produit de contraste afin de minimiser le risque d'embolisation.** Traiter le thrombus résiduel en répétant les étapes 11-15 jusqu'à ce que l'ablation du thrombus soit acceptable.
17. Une fois l'ablation du thrombus terminée, traiter toute maladie ou sténose sous-jacente conformément au protocole de l'hôpital.
18. Procéder à l'angiogramme final.
19. Extraire les gaines du système vasculaire périphérique.
20. Obtenir l'hémostase au niveau du ou des sites de ponction conformément au protocole de l'hôpital.

Greffes et fistules

INDICATIONS :

Le système de thrombectomie rotationnelle CLEANER 15™ est indiqué pour l'ablation mécanique des caillots dans les fistules de dialyse des vaisseaux natifs et les greffes d'accès de dialyse synthétiques.

CONTRE-INDICATIONS :

Le système de thrombectomie rotationnelle CLEANER 15™ est contre-indiqué dans les situations suivantes :

- Lorsque, selon l'avis du médecin, une telle procédure pourrait compromettre l'état du patient.
- Ce système est contre-indiqué dans les vaisseaux natifs d'un diamètre inférieur à 6 mm.
- Infection existante au niveau du site d'accès de l'hémodialyse.
- Fistules de dialyse d'un vaisseau natif immatures (fistules qui n'ont pas encore été utilisées pour un traitement d'hémodialyse).

AVERTISSEMENTS ET PRÉCAUTIONS :

- Lire l'intégralité des avertissements, précautions et instructions de la notice avant utilisation. Le non-respect de cette consigne risque d'entraîner de graves lésions et le décès du patient.
- Ces procédures doivent être exclusivement pratiquées par des médecins et du personnel parfaitement familiarisés avec le dispositif et les techniques employées. Le dispositif a été stérilisé à l'EtO et restera stérile sauf si l'emballage est ouvert ou endommagé. Examiner l'emballage avant toute utilisation ; s'il est endommagé, NE PAS UTILISER le dispositif. Ce dispositif est exclusivement destiné à un usage unique ; NE PAS LE RÉUTILISER NI LE RESTÉRILISER.
- Avant utilisation, examiner minutieusement le système de thrombectomie rotationnelle CLEANER 15™ pour vérifier qu'il n'a pas été endommagé pendant le transport. NE PAS UTILISER le produit si ses composants présentent un quelconque signe de dommage.
- En raison du risque d'exposition au VIH (virus de l'immunodéficience humaine) ou à d'autres agents pathogènes à diffusion hématogène, les professionnels de santé doivent systématiquement observer les précautions universelles relatives au sang et aux fluides corporels lors de la prise en charge des patients. Une technique stérile doit être rigoureusement employée lors de la manipulation du dispositif.
- Les praticiens doivent être conscients des complications potentielles associées aux procédures de thrombolyse des fistules et des greffes de dialyse, notamment :

<input type="checkbox"/> Hémorragie	<input type="checkbox"/> Déchirure ou rupture du vaisseau
<input type="checkbox"/> Embolie pulmonaire symptomatique	<input type="checkbox"/> Infection
<input type="checkbox"/> Embolisation artérielle	<input type="checkbox"/> Perforation de l'artère ou de la veine
<input type="checkbox"/> Réaction allergique au produit de contraste	<input type="checkbox"/> Hématome
<input type="checkbox"/> Pseudo-anévrisme	<input type="checkbox"/> Décès
<input type="checkbox"/> Douleur et/ou sensibilité	
- Prendre des précautions lors du délogement du caillot au niveau de l'anastomose artérielle afin de minimiser le risque d'embolisation artérielle.
- En raison de l'absence d'excrétion chez les patients hémodialysés, l'utilisation de produit de contraste doit être maintenue au minimum tout au long de cette procédure.

Greffes et fistules

- Il existe un risque de rupture par fatigue du fil sinusoïdal CLEANER 15™ en cas d'activation prolongée du dispositif CLEANER 15™. Il est recommandé d'employer une vitesse de retrait de 1-2 cm/seconde dans les angles aigus (c'est-à-dire rayon d'une greffe ou d'une fistule en boucle, rayons < 3 cm).

PROCÉDURE CONSEILLÉE :

Employer une technique stérile.

Préparation du patient :

1. Procéder à une prémédication avec des anxiolytiques, analgésiques et/ou antibiotiques appropriés conformément au protocole de l'hôpital.

Test de la performance du dispositif :

2. Extraire le système de thrombectomie rotationnelle CLEANER 15™ de son emballage. Appuyer sur l'interrupteur MARCHE/ARRÊT pour vérifier que le fil sinusoïdal tourne librement (voir la Figure 2). Relâcher l'interrupteur pour arrêter la rotation. **Précaution : ne pas utiliser le dispositif s'il ne se met pas en marche immédiatement après avoir appuyé sur l'interrupteur, ou s'il ne s'arrête pas immédiatement lorsque l'interrupteur est relâché.**
3. Rincer le cathéter CLEANER 15™ en introduisant une solution saline héparinée par le port de rinçage de la lumière du cathéter. Replacer le robinet en position fermée avant l'opération.

Procédure de thrombolyse :

4. Exécuter l'intégralité de la procédure de thrombolyse CLEANER 15™ sous radioscopie. Ne pas initier la rotation du fil sinusoïdal (activation du dispositif) avant d'avoir confirmé le positionnement correct du dispositif dans la fistule ou la greffe.
5. Préparer le site de ponction et placer un champ stérile tel que requis.
6. Administrer un anesthésique local au niveau du site de ponction en vue de l'insertion de la gaine veineuse.
7. Sélectionner une gaine de taille appropriée compatible avec le cathéter CLEANER 15™ et les autres dispositifs/cathéters qui seront éventuellement utilisés pendant la procédure. La taille maximale du fil-guide dépendra de l'ensemble gaine d'introduction/dilatateur choisi.
8. Préparer et mettre en place la gaine d'introduction veineuse conformément au protocole de l'hôpital. La gaine veineuse doit être placée dans la branche veineuse de la greffe, en étant dirigée vers l'anastomose veineuse. Dans les fistules, la mise en place de la gaine veineuse peut être facultative, selon l'importance du caillot dans le vaisseau. En cas d'utilisation d'une gaine veineuse, celle-ci doit être placée dans la branche veineuse de la fistule, en étant dirigée vers la voie veineuse centrale. Remarque : en l'absence d'utilisation de gaine veineuse dans la fistule AV, passer à l'étape 16.
9. Placer le dispositif en position couverte. Pour ce faire, pousser le levier coulissant vers la position distale puis tourner ce dernier pour verrouiller le dispositif en position couverte (voir la Figure 3). En position couverte, seule l'extrémité flexible du fil sinusoïdal doit dépasser du cathéter. Ne pas activer le dispositif lorsque le fil se trouve en position couverte.
10. Lors de l'insertion dans la valve de la gaine, tenir l'extrémité flexible entre le pouce et l'index. Insérer le dispositif couvert dans la gaine veineuse puis dans la branche veineuse de la fistule ou de la greffe.

Greffes et fistules

11. Dans une greffe, avancer l'extrémité flexible jusqu'à l'anastomose veineuse. **Avertissement : ne pas avancer l'extrémité flexible au-delà de l'anastomose.** Dans une fistule, avancer l'extrémité flexible jusqu'à la partie la plus centrale du caillot. Exposer le fil sinusoïdal. Pour ce faire, déverrouiller et rétracter complètement le levier coulissant, puis tourner ce dernier jusqu'à entendre un « clic » (voir la Figure 4). Confirmer la position du dispositif dans la fistule ou la greffe par radioscopie. Appuyer sur l'interrupteur MARCHE/ARRÊT pour activer la rotation. **Remarque : lorsque le fil est exposé, prendre des précautions pour éviter de l'avancer dans le caillot et au-delà de l'anastomose.**
12. Une fois le dispositif activé, tirer lentement le fil sinusoïdal rotatif sur toute la longueur de la greffe ou de la fistule afin de dissoudre le caillot. **Avertissement : il est recommandé d'employer une vitesse de retrait de 1-2 cm/seconde dans les angles aigus.** Lorsque le fil sinusoïdal atteint l'extrémité de la gaine veineuse, relâcher l'interrupteur pour arrêter la rotation.
13. Placer le dispositif en position couverte puis retirer ce dernier de la greffe ou la fistule. Rincer la lumière du cathéter avec une solution saline héparinée et retirer manuellement la fibrine accumulée sur le fil sinusoïdal.
14. Aspirer le caillot macéré via la gaine puis éliminer l'aspirat. **Précaution : toute aspiration prolongée infructueuse risque de provoquer un collapsus de la gaine et de la greffe/fistule.**
15. Injecter une petite quantité de produit de contraste via la gaine veineuse afin d'évaluer le degré d'ablation du thrombus. **Avertissement : éviter toute surinjection de produit de contraste afin de minimiser le risque d'embolisation artérielle.** Traiter le thrombus résiduel en répétant les étapes 11-14 jusqu'à ce que l'ablation du thrombus soit acceptable.
16. Administrer un anesthésique local au niveau du site de ponction en vue de l'insertion de la gaine artérielle. Préparer et mettre en place la gaine d'introduction artérielle conformément au protocole de l'hôpital. La gaine artérielle doit être dirigée vers l'anastomose artérielle. **Précaution : les extrémités des gaines artérielle et veineuse ne doivent pas se chevaucher.**
17. Lors de l'insertion dans la valve de la gaine, tenir l'extrémité flexible entre le pouce et l'index. Insérer le dispositif en position couverte dans la gaine artérielle puis dans la branche artérielle de la fistule ou de la greffe.
18. Dans une greffe, avancer l'extrémité flexible jusqu'à l'anastomose artérielle. **Avertissement : ne pas avancer l'extrémité flexible au-delà de l'anastomose.** Dans une fistule, avancer l'extrémité flexible jusqu'à la partie la plus centrale du caillot. Exposer le fil sinusoïdal. Pour ce faire, déverrouiller et rétracter complètement le levier coulissant, puis tourner ce dernier jusqu'à entendre un « clic ». Confirmer la position du dispositif dans la fistule ou la greffe par radioscopie. Appuyer sur l'interrupteur MARCHE/ARRÊT pour activer la rotation.
19. Une fois le dispositif activé, tirer lentement le fil sinusoïdal rotatif, en position exposée, sur toute la longueur de la greffe ou de la fistule afin de dissoudre le caillot. **Avertissement : il est recommandé d'employer une vitesse de retrait de 1-2 cm/seconde dans les angles aigus.** Lorsque le fil sinusoïdal atteint l'extrémité de la gaine artérielle, relâcher l'interrupteur pour arrêter la rotation.
20. Placer le dispositif en position couverte puis retirer ce dernier de la greffe ou la fistule. Rincer la lumière du cathéter avec une solution saline héparinée et retirer manuellement la fibrine accumulée sur le fil sinusoïdal.

Greffes et fistules

21. Aspirer le caillot macéré via l'une des gaines puis éliminer l'aspirat. **Précaution : toute aspiration prolongée infructueuse risque de provoquer un collapsus de la gaine et de la greffe/fistule.**
22. Introduire un cathéter approprié dans la gaine artérielle puis acheminer ce dernier avec précaution au-delà de l'anastomose artérielle de la greffe ou la fistule. En cas d'utilisation d'un cathéter à ballonnet, gonfler le ballonnet. Tirer le bouchon artériel jusqu'au milieu de la branche artérielle. Dégonfler le ballonnet et retirer le cathéter à ballonnet.
23. Réinsérer le dispositif CLEANER 15™ en position couverte dans la gaine artérielle puis dans la branche artérielle de la greffe ou la fistule.
24. Exposer le fil sinusoïdal et activer le dispositif pour dissoudre le bouchon artériel, en utilisant du produit de contraste pour guider la macération.
25. Placer le dispositif en position couverte puis retirer ce dernier de la greffe ou la fistule. Rincer la lumière du cathéter avec une solution saline héparinée et retirer manuellement la fibrine accumulée sur le fil sinusoïdal.
26. Aspirer le caillot macéré via la gaine puis éliminer l'aspirat.
27. Injecter du produit de contraste pour évaluer le degré d'ablation du thrombus. Si nécessaire, traiter le thrombus résiduel en introduisant le dispositif CLEANER 15™ dans l'une des gaines.
28. Une fois l'ablation du thrombus terminée, traiter toute maladie ou sténose sous-jacente conformément au protocole de l'hôpital.
29. Procéder au fistulogramme final.
30. Retirer les gaines de la fistule ou de la greffe.
31. Obtenir l'hémostase au niveau du ou des sites de ponction conformément au protocole de l'hôpital.

AVERTISSEMENT :

Réservé à un usage unique. Ne pas réutiliser, retraiter ni restériliser. Toute réutilisation, retraitement ou restérilisation risque de compromettre l'intégrité structurelle du dispositif et/ou d'entraîner une défaillance qui, à son tour, peut provoquer une lésion, une maladie ou le décès du patient. Toute réutilisation, retraitement ou restérilisation peut également créer un risque de contamination du dispositif et/ou provoquer une infection ou une infection croisée du patient, y compris, sans s'y limiter, la transmission de maladie(s) infectieuse(s) d'un patient à un autre. La contamination du dispositif peut entraîner une lésion, une maladie ou le décès du patient.

STOCKAGE :

Conserver à une température ambiante contrôlée. Ne pas exposer aux solvants organiques, aux rayonnements ionisants ou aux rayons ultraviolets.

MISE AU REBUT :

Éliminer le système de cathéter conformément à la directive relative aux déchets d'équipements électriques et électroniques 2002/96/CE (DEEE) et aux procédures standard de l'établissement relatives aux déchets médicaux comprenant des dispositifs à usage unique en contact avec du sang.

EXCLUSION DE GARANTIE ET LIMITATION DES RECOURS :

Il n'existe aucune garantie expresse ou implicite, y compris sans s'y limiter toute garantie de qualité marchande ou d'adéquation à un usage particulier, pour le(s) produit(s) Argon Medical décrit(s) dans cette publication. Argon Medical ne sera en aucun cas tenue pour responsable de dommages directs, indirects ou consécutifs autres que ceux expressément stipulés par la législation spécifique. Nul n'a l'autorité de lier Argon Medical à une quelconque représentation ou garantie à l'exception de celles spécifiquement décrites dans le présent avis.

Les descriptions ou spécifications figurant dans les publications d'Argon Medical, y compris la présente publication, ont pour seul objectif de décrire le produit de manière générale au moment de sa fabrication et ne sauraient constituer une quelconque garantie expresse.

Argon Medical ne sera pas tenue pour responsable des dommages directs, indirects ou consécutifs découlant de la réutilisation du produit.



MEDICAL — GENERAL MEDICAL EQUIPMENT
AS TO ELECTRICAL SHOCK, FIRE AND MECHANICAL HAZARDS ONLY
IN ACCORDANCE WITH IEC60601-1 3rd Ed. & CAN/CSA-C22.2
NO. 60601.1 (2008), AAMI ES 60601-1:2008
4CR3



 Le glossaire des symboles se trouve sur le site
www.argonmedical.com/symbols



EMERGO EUROPE
Prinsessegracht 20
2514 AP The Hague
The Netherlands
+31 70 345 8570



ARGON MEDICAL DEVICES, INC.
1445 Flat Creek Road
Athens, Texas 75751 USA
Tel: +1 (903) 675 9321
Tel: +1 (800) 927 4669
www.argonmedical.com

